

Lochungen	02–15
Openings	
Quadratlochungen	02–05
Square openings	
MAX	06
MAX	
Langlochungen	08–09
Slotted openings	
S90	10
S90	
Rechtecklochungen	11–12
Rectangular openings	
Rundlochungen	13–14
Round openings	
Tränenlochungen	15
Tear-shaped openings	
Zubehör	17–32
Accessories	
Schneckensegmente	33–37
Spiral segments	

→ **Lochungen**
Quadratlochungen
 MAX
 Langlochungen
 S90
 Rechtecklochungen
 Rundlochungen
 Tränenlochungen

→ Openings
 Square openings
 MAX
 Slotted openings
 S90
 Rectangular openings
 Round openings
 Tear-shaped openings



Quadratlochungen	Gesamtdicke	VARIA	Siebfeld-dicke	Stegbreite	Offene Fläche	Offene Fläche	Offene Fläche	Referenzgewicht
Square openings	Total thickness	VARIA	Thickness screening area	Bridge width	Open area	Open area VARIA	Open area IDEAL	Reference weight

a [mm]	d [mm]	y [mm]	c [mm]	e [mm]	A ₀ [%]	A _{eff} [%]*	A _{eff} [%]*	m [kg]*
blind	variabel	35						13,50
blind	variabel	45						16,25
blind	variabel	55						19,90
2,4	20	35	5	2,20	27,20	17,98	21,35	7,50
2,75	20	35	7	2,50	27,50	17,10	19,90	8,35
3,2	20	35	7	2,30	33,90	21,90	26,93	9,25
3,6	20	35	8	2,50	28,70	23,22	26,50	8,70
4,0	20	35	7	2,50	34,60	24,20	29,18	8,00
4,5	20	35	8	2,80	38,00	24,20	28,80	8,40
4,5 ¹		35	10	3,75	29,80	24,20	28,80	9,25
5,0	20	35	10	3,30	36,30	22,90	26,73	8,75
5,5	20	35	10	2,80	43,90	27,70	33,02	8,25
6,5	20	35	8	3,20	44,90	28,40	33,77	8,45
6,5	20	35	12	4,30	36,20	23,90	28,72	8,35
6,5 ¹		35	18	5,50	29,30	19,70	19,70	9,40
6,5	30	35	20	6,50	25,00	16,00	16,00	9,50
7,5	20	35	8,5	3,20	49,10	31,80	37,70	8,35
8,5	25	35	10	3,50	50,20	33,70	39,97	8,30
9,5	20	35	10	3,50	53,40	34,10	40,31	8,45
9,5 ¹		35	13	6,00	37,50	25,50	25,50	8,00
9,5 ¹		35	18	5,50	40,10	18,30	29,84	9,70
10,5	25	35	11	4,50	49,00	32,90	40,31	8,75
11,5	25	35	13	4,00	55,00	39,50	46,29	8,45
12,0	20	35	20	7,50	37,90	25,30	25,30	9,60
12,5	25	35	15	4,60	53,50	35,70	37,50	8,55
13,5	25	35	18	7,20	42,50	30,60	34,42	9,05

→ **Lochungen**
Quadratlochungen
 MAX
 Langlochungen
 S90
 Rechtecklochungen
 Rundlochungen
 Tränenlochungen

→ Openings
 Square openings
 MAX
 Slotted openings
 S90
 Rectangular openings
 Round openings
 Tear-shaped openings



Quadratlochungen	Gesamtdicke	VARIA	Siebfeld-dicke	Stegbreite	Offene Fläche	Offene Fläche	Offene Fläche	Referenzgewicht
Square openings	Total thickness	VARIA	Thickness screening area	Bridge width	Open area	Open area VARIA	Open area IDEAL	Reference weight

a [mm]	d [mm]	y [mm]	c [mm]	e [mm]	A ₀ [%]	A _{eff} [%]*	A _{eff} [%]*	m [kg]*
13,5	25	35	25	6,50	45,60	30,60	34,42	9,00
14,0	21	35	18	9,00	37,10	23,50	30,05	9,75
14,5	25	35	15	6,00	50,00	35,30	37,85	8,75
15,5	25	35	16	6,00	47,50	33,50	40,36	10,25
16,5	25	35	18	8,00	45,40	31,80	36,93	8,95
17,5	25	35	18	8,50	45,30	32,20	40,83	9,20
18,0	25	35	18	8,00	47,90	33,05	33,05	8,80
18,5	25	35	18	9,00	45,30	31,80	38,79	9,10
19,5	25	35	20	11,00	40,90	28,40	43,10	9,45
21,0	25	35	18	9,50	47,40	31,30	39,69	9,00
22,0	25	35	20	10,00	47,30	34,80	42,27	9,00
24,0	25	35	20	12,00	49,80	30,90	36,86	9,80
25,0	25	35	22	12,00	45,60	33,50	36,46	10,15
26,0	15	35	15	13,00	44,40	55,88	55,88	5,00
26,0	25	35	22	10,00	52,20	36,40	43,26	9,30
27,0	25	35	22	10,00	53,30	39,10	40,82	9,65
28,0	25	35	22	11,00	51,60	24,50	43,90	10,25
29,0	25	35	22	11,0/13,0	47,70	37,00	37,00	7,55
30,0	30	45	22	11,00	53,50	37,80	46,20	10,90
30,0	30	45	30	19,00	37,50	32,40	46,20	11,00
32,0	30	45	27	13,00	50,80	38,00	38,00	12,80
32,0	40	45	40	17,00	42,70	30,70	30,70	14,00
34,0	30	35	25	13,00	52,30	36,60	36,60	10,90
34,0	35	45	35	13,00	52,30	36,60	36,60	12,75
34,0	40	45	40	23,00	35,60	24,70	24,70	13,25
36,0	30	45	30	13,00	54,00	38,90	41,04	10,30

¹nur Stecksiebe ¹modular screens only

*für Standardgrößen 300 mm x 1000 mm *for standard sizes 300 mm x 1000 mm

- **Lochungen**
Quadratlochungen
 MAX
 Langlochungen
 S90
 Rechtecklochungen
 Rundlochungen
 Tränenlochungen
- Openings
 Square openings
 MAX
 Slotted openings
 S90
 Rectangular openings
 Round openings
 Tear-shaped openings



- **Lochungen**
Quadratlochungen
 MAX
 Langlochungen
 S90
 Rechtecklochungen
 Rundlochungen
 Tränenlochungen
- Openings
 Square openings
 MAX
 Slotted openings
 S90
 Rectangular openings
 Round openings
 Tear-shaped openings



Quadratlochungen Square openings	Gesamtdicke Total thickness	VARIA VARIA	Siebfelddicke Thickness screening area	Stegbreite Bridge width	Offene Fläche Open area	Offene Fläche Open area VARIA	Offene Fläche Open area IDEAL	Referenzgewicht Reference weight
a [mm]	d [mm]	y [mm]	c [mm]	e [mm]	A ₀ [%]	A _{eff} [%]*	A _{eff} [%]*	m [kg]*
36,0	40	45	40	21,00	39,90	27,70	41,04	14,00
38,0	20	28	20	18,00	46,00	43,32	43,32	8,00
38,0 ¹		35	30	13,00/18,00	50,60	38,51	38,51	11,15
38,0	30	45	30	18,00	46,10	32,70	40,91	12,15
38,0	40	45	40	23,00	40,10	28,90	40,91	13,40
40,0	35	45	35	20,00	44,40	32,00	36,00	13,70
40,0 ¹		55	50	21,00	43,00	34,13	36,00	14,00
42,0	30	45	30	18,00/23,00	49,00	37,63	37,62	13,20
45,0	40	45	40	19,00/24,00	47,90	37,80	40,50	14,00
45,0	55	55	50	19,00/24,00	47,90	37,80	37,80	14,50
50,0	35	55	35	19,00/22,00	51,00	46,67	46,67	14,00
50,0	50	55	50	31,00/36,00	43,30	30,00	30,00	15,70
55,0	35	55	35	18,00/22,00	53,80	39,33	48,40	10,10
55,0	50	55	50	25,00	47,20	33,20	33,20	13,75
60,0	35	55	35	20,00/35,00	56,00	39,60	39,60	13,00
60,0	50	55	50	27,00	46,50	39,60	36,00	13,00
62,0	35	55	35	35,00	54,50	38,44	38,44	13,50
65,0	35	55	35	22,00	55,80	38,03	38,03	14,00
65,0	50	55	50	22,00/27,00	52,10	42,30	42,30	14,25
70,0	50	55	50	30,00	49,00	39,20	39,20	15,35
75,0	50	55	50	25,00	56,25	44,79	44,79	14,00
80,0	50	55	50	27,00/40,00	49,70	38,40	29,87	14,70
80,0	75	55	75	27,00/40,00	49,70	38,40	29,87	15,60
85,0	50	55	50	35,00	50,20	38,53	33,72	14,50
85,0	75	55	75	35,00	50,20	38,53	33,72	15,80
90,0	35	55	35	50,00	41,32	37,80	37,80	10,50

Quadratlochungen Square openings	Gesamtdicke Total thickness	VARIA VARIA	Siebfelddicke Thickness screening area	Stegbreite Bridge width	Offene Fläche Open area	Offene Fläche Open area VARIA	Offene Fläche Open area IDEAL	Referenzgewicht Reference weight
a [mm]	d [mm]	y [mm]	c [mm]	e [mm]	A ₀ [%]	A _{eff} [%]*	A _{eff} [%]*	m [kg]*
90,0	50	55	50	50,00	41,32	37,80	37,80	15,35
90,0	75	55	75	50,00	41,32	37,80	37,80	17,25
95,0	50	55	50	32,00/42,00	51,80	45,13	45,13	13,65
95,0	75	55	75	32,00/42,00	51,80	45,13	45,13	16,50
100,0	50	55	50	26,00	63,00	53,33	53,33	13,50
100,0	75	55	75	26,00	63,00	53,33	53,33	16,40
110,0	50	55	50	50,00	47,27	44,37	44,37	14,00
110,0	75	55	75	50,00	47,27	44,37	44,37	16,90
120,0	50	55	50	40,00	56,25	28,80	28,80	15,00
120,0	75	55	75	40,00	56,25	28,80	28,80	17,10
125,0	50	55	50	35,00	61,04	31,25	31,25	15,00
125,0	75	55	75	35,00	61,04	31,25	31,25	17,10
130,0	50	55	50	45,00	55,20	30,98	30,98	15,50
130,0	75	55	75	45,00	55,20	30,98	30,98	17,50
140,0	50	55	50	49,00	54,87	42,04	42,04	13,50
140,0	75	55	75	49,00	54,87	42,04	42,04	15,75
155,0	50	55	55	50,00	57,20	54,06	54,06	14,50
155,0	75	55	75	50,00	57,20	54,06	54,06	16,50
175,0	50	55	50	45,00	63,30	56,15	56,15	14,20
175,0	75	55	75	45,00	63,30	56,15	56,15	16,10
190,0	75	55	75	55,00	60,10	48,13	48,13	15,40
200,0	50	55	50	50,00	64,00	53,33	53,33	13,00
200,0	75	55	75	50,00	64,00	53,33	53,33	15,00
210,0	45	55	45	30,00	76,60	58,80	58,80	12,00
210,0	75	55	75	30,00	76,60	58,80	58,80	13,80

¹nur Stecksiebe ¹modular screens only
 *für Standardgrößen 300 mm x 1000 mm *for standard sizes 300mmx1000mm

Lochungen

Quadratlochungen

→ **MAX**

Langlochungen

S90

Rechtecklochungen

Rundlochungen

Tränenlochungen

Openings

Square openings

→

MAX

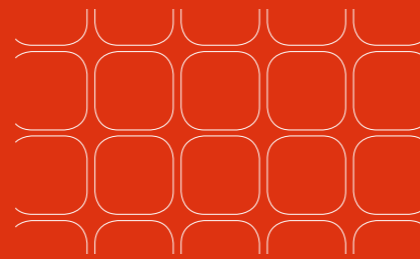
Slotted openings

S90

Rectangular openings

Round openings

Tear-shaped openings



**Quadrat-
lochungen**
Square
openings
MAX

VARIA
VARIA

**Siebfeld-
dicke**
Thickness
screening
area

**Steg-
breite**
Bridg-
width

**Offene
Fläche**
Open area

**Offene
Fläche**
Open area
VARIA
MAX

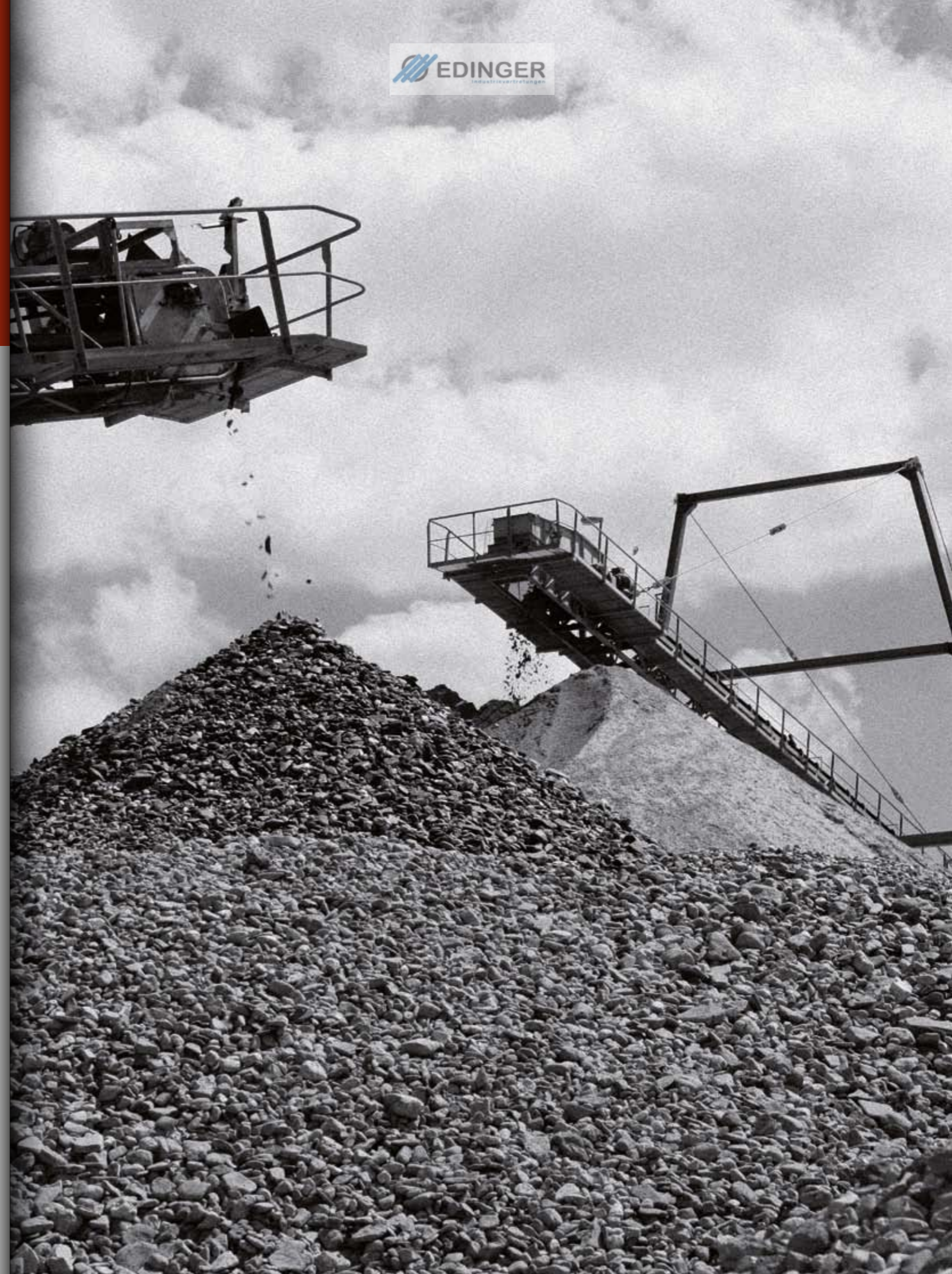
**Offene
Fläche**
Open area
IDEAL
MAX

**Referenz-
Gewicht**
Reference
weight

a [mm]	y [mm]	c [mm]	e [mm]	A_0 [%]	A_{eff} [%]*	A_{eff} [%]*	m [kg]*
3,2	35	10	4,00	19,80	15,72		6,00
6,5	35	10	4,00	38,30	29,80		5,50
7,5	35	10	4,00	42,50	34,65		5,50
9,5	35	10	4,00	49,50	38,99		5,00
10,5	35	10	4,00	52,40	41,23		6,00
12,0	35	15	4,75	51,30	20,16		6,00
12,5	35	15	4,75	52,50		45,80	4,50
13,5	35	15	4,75	54,70	41,07		6,00
18,5	35	15	4,75	63,30	48,14		5,75
19,5	35	15	4,75	64,70	48,17		6,00
26,0	35	15	4,75	71,50	55,80		5,00
36,0	35	18	8,50	65,40	47,43		5,50

Obenstehende Lochungen sind bisher im Stecksystem erhältlich!

The above-mentioned openings are currently available in the plug system!



Lochungen

Quadratlochungen
MAX
→ **Langlochungen**
S90
Rechtecklochungen
Rundlochungen
Tränenlochungen

Openings
Square openings
MAX
→ Slotted openings
S90
Rectangular openings
Round openings
Tear-shaped openings



Langlochungen
Slotted openings

Gesamtdicke
Total thickness

VARIA
VARIA

Siebfeld-dicke
Thickness screening area

Stegbreite
Bridge width

Offene Fläche
Open area

Offene Fläche VARIA
Open area VARIA

Offene Fläche IDEAL
Open area IDEAL

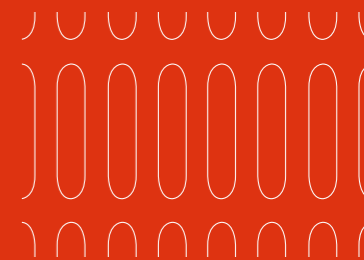
Referenzgewicht
Reference weight

a [mm]	d [mm]	y [mm]	c [mm]	e [mm]	A ₀ [%]	A _{eff} [%]*	A _{eff} [%]*	m [kg]*
0,4x25	20	35	8	4,00	6,05	3,70	6,25	10,00
0,5x11	20	35	8	4,00	5,54	3,95	7,08	9,50
0,5x25	20	35	8	4,00	6,35	4,62	8,66	9,50
0,75x11	20	35	8	3,90	8,68	3,56	5,44	8,50
0,75x20	20	35	8	3,90	7,89	6,93	9,27	9,50
0,75x25	20	35	8	3,90	9,55	8,09	11,65	9,50
1,0x11 ¹		35	10	3,85	14,98	4,17	7,82	9,50
1,0x20	20	35	10	3,85	17,10	6,86	8,90	11,00
1,0x25	20	35	10	3,85	12,01	9,80	13,80	9,50
1,0x25 ¹		45	30	7,00	15,50	8,72	11,10	9,50
1,0x43,5	20	35	10	3,85	13,90	8,52	12,20	9,70
1,5x11	20	35	10	4,50	13,20	10,47	14,34	9,55
1,5x22,5	20	35	10	4,20	15,01	11,88	16,30	9,25
1,5x25	20	35	10	4,50	14,91	11,90	17,80	9,50
1,75x11	20	35	10	4,75	18,16	11,31	15,18	9,50
1,75x25	20	35	10	4,30	17,02	13,88	18,04	9,50
2,0x11	20	35	10	4,40	16,11	12,26	14,31	9,40
2,0x22,5	30	35	10	3,60	20,02	10,52	16,98	9,35
2,0x25	20	35	10	4,40	18,31	13,10	15,48	9,65
2,0x43,5	20	35	10	3,40	25,22	16,64	19,33	10,00
2,0x18 ¹		38	10	4,40	22,50	14,59	16,78	9,50
2,5x11	20	35	10	4,50	18,81	14,75	18,04	9,20
2,5x22,5	30	35	12	4,30	21,45	17,18	20,18	9,40
2,5x25	20	35	10	4,50	21,37	17,06	17,06	9,00
2,5x25 ¹		45	17	7,00	17,60	14,25	15,85	10,00
3,0x11	20	35	10	4,30	21,14	16,69	18,55	8,50

Lochungen

Quadratlochungen
MAX
→ **Langlochungen**
S90
Rechtecklochungen
Rundlochungen
Tränenlochungen

Openings
Square openings
MAX
→ Slotted openings
S90
Rectangular openings
Round openings
Tear-shaped openings



Langlochungen
Slotted openings

Gesamtdicke
Total thickness

VARIA
VARIA

Siebfeld-dicke
Thickness screening area

Stegbreite
Bridge width

Offene Fläche
Open area

Offene Fläche VARIA
Open area VARIA

Offene Fläche IDEAL
Open area IDEAL

Referenzgewicht
Reference weight

a [mm]	d [mm]	y [mm]	c [mm]	e [mm]	A ₀ [%]	A _{eff} [%]*	A _{eff} [%]*	m [kg]*
3,0x25	20	35	10	4,30	24,03	19,30	13,80	9,50
3,5x16	20	35	12	5,50	18,85	16,42	22,29	9,50
3,5x25 ¹		35	12	4,00	39,02	28,88	31,71	8,90
4,0x25	20	35	12	4,50	27,46	22,40	26,26	9,75
5,0x25	20	35	12	5,20	28,60	22,29	26,45	10,00
5,0x25	25	45	12	5,20	28,60	22,29	26,45	11,00
6,0x30	25	35	12	5,00	35,69	27,72	30,30	10,00
7,0x30	25	35	15	5,00	37,48	30,24	33,88	10,00
8,0x35	25	35	15	5,00	42,14	30,24	35,60	9,00
10,0x25	30	35	18	7,50	35,80	28,00	34,12	9,50
10,0x40	30	35	18	7,00	39,16	29,86	32,51	9,45
12,0x40	30	35	18	8,00	37,69	30,72	34,04	10,20
12,0x20	30	35	20	7,00	40,75	33,28	36,35	10,20
15,0x40	30	35	20	9,00	41,96	32,00	37,37	10,75

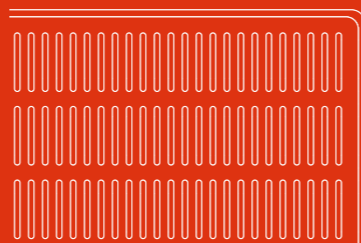
¹nur Stecksiebe ¹Modular screens only

*für Standardgrößen 300 mm x 1000 mm *for standard sizes 300mmx1000mm

Lochungen

- Quadratlochungen
- MAX
- Langlochungen
- **S90**
- Rechtecklochungen
- Rundlochungen
- Tränenlochungen

- Openings
- Square openings
- MAX
- Slotted openings
- S90
- Rectangular openings
- Round openings
- Tear-shaped openings



Lochungen

- Quadratlochungen
- MAX
- Langlochungen
- S90
- **Rechtecklochungen**
- Rundlochungen
- Tränenlochungen

- Openings
- Square openings
- MAX
- Slotted openings
- S90
- Rectangular openings
- Round openings
- Tear-shaped openings



S90 S90	Gesamt- dicke Total thickness	Gesamt- dicke Total thickness	Gesamt- dicke Total thickness	VARIA VARIA	Siebfeld- dicke Thickness screening area	Stegbreite Bridge width	Offene Fläche Open area	Offene Fläche Open area VARIA	Referenz- Gewicht Reference weight
a [mm]	ohne Armierung without rein- forcement [mm]	armiert reinforced [mm]	verst. armiert strongly reinforced [mm]	y [mm]	c [mm]	e [mm]	A ₀ [%]	A _{eff} [%]*	m [kg]*
0,16x5,6	23	35	45	35	3	1,2	9,69	4,47	9,40
0,25x16	23	35	45	35	8	3	6,55	3,54	9,50
0,5x16	23	35	45	35	9	3	12,53	6,66	9,50
0,75x16	23	35	45	35	9	2,75	18,53	9,98	9,70
1,0x3,2	23	35	45	35	3	1,33	29,54	15,97	10,00
1,0x16	23	35	45	35	10	2,48	24,85	12,8	10,00

*für Standardgrößen 300 mm x 1000 mm *for standard sizes 300 mm x 1000 mm

Rechteck- lochungen Rectangular openings	Gesamt- dicke Total thickness	VARIA VARIA	Siebfeld- dicke Thickness screening area	Stegbreite Bridge width	Offene Fläche Open area	Offene Fläche Open area VARIA	Referenz- Gewicht Reference weight	Steck- siebe Modular screens	Plan- siebe Flat screen panels	Spann- siebe Tension- ed screens
a [mm]	d [mm]	y [mm]	c [mm]	e [mm]	A ₀ [%]	A _{eff} [%]*	m [kg]*			
4x6	25	35	8	2,60	36,23	28,22	11,50	x	x	
4x7	20	35	12	4,60	24,62	23,78	9,00	x		x
16x28		35	18	8,50	43,94	35,84	8,00	x		
22x60	40	55	40	20,00/25,00	34,06	23,76	20,50	x	x	x
26,5x60	40		40	nach Rücksprache/after consulting				x	x	x
28x150	30		30	nach Rücksprache/after consulting				x	x	x
30x50	30		30	nach Rücksprache/after consulting				x	x	x
40x60	20	35	20	25,00/30,00	35,15	30,40	11,00	x	x	x
40x80	40	55	40	28,00	38,89	34,13	13,00	x	x	x
40x125	40	55	40	28,00	44,75	40,00	15,50	x	x	x
45x125	50	55	50	35,00	40,54	33,75	15,50	x	x	
50x150	25		25	nach Rücksprache / after consulting				x	x	x
50x80	35	55	35	23,00	46,05	37,33	14,50	x	x	x
50x125	40	55	40	23,00	52,87	43,75	15,50	x	x	
65x120	40		40	nach Rücksprache/after consulting				x	x	x
70x145	75		70	nach Rücksprache/after consulting				x	x	
80x150	75		70	nach Rücksprache/after consulting				x	x	x
90x125	75		70	nach Rücksprache/after consulting				x	x	
90x130	75		70	nach Rücksprache/after consulting				x	x	
90x145	75		70	nach Rücksprache/after consulting				x	x	
90x150	75		75	nach Rücksprache/after consulting				x	x	x
100x115	75		70	nach Rücksprache/after consulting				x	x	
100x125	50		50	nach Rücksprache/after consulting				x	x	x
100x130	75		70	nach Rücksprache/after consulting				x	x	
100x145	50		70	nach Rücksprache/after consulting				x	x	x
100x145	70		70	nach Rücksprache/after consulting				x	x	

*für Standardgrößen 300 mm x 1000 mm *for standard sizes 300 mm x 1000 mm

Lochungen

Quadratlochungen
MAX
Langlochungen
S90

Openings
Square openings
MAX
Slotted openings
S90

→ **Rechtecklochungen**

Rundlochungen
Tränenlochungen

→ Rectangular openings
Round openings
Tear-shaped openings



Rechtecklochungen
Rectangular openings

Gesamtdicke
Total thickness

VARIA
VARIA

Siebfeld-dicke
Thickness screening area

Stegbreite
Bridge width

Offene Fläche
Open area

Offene Fläche
Open area
VARIA

Referenz-Gewicht
Reference weight

Steck-siebe
Modular screens

Plan-siebe
Flat screen panels

Spann-siebe
Tensioned screens

a [mm]	d [mm]	y [mm]	c [mm]	e [mm]	A ₀ [%]	A _{eff} [%]*	m [kg]*			
110 x 155	50		50	nach Rücksprache/after consulting				x	x	x
118 x 128	70		70	nach Rücksprache/after consulting				x		
118 x 128	90		90	nach Rücksprache/after consulting				x		
120 x 135	50		50	nach Rücksprache/after consulting				x	x	x
135 x 155	30		30	nach Rücksprache/after consulting				x	x	x
140 x 200	70	75	70	50,00	50,08	28,00	14,50	x	x	
145 x 155	50		50	nach Rücksprache/after consulting				x	x	x
160 x 200	50		50	nach Rücksprache/after consulting				x	x	x

Lochungen

Quadratlochungen
MAX
Langlochungen
S90

Openings
Square openings
MAX
Slotted openings
S90

→ **Rundlochungen**

Rechtecklochungen
Tränenlochungen

→ Rectangular openings
Round openings
Tear-shaped openings



Rundlochungen
Round openings

Gesamtdicke
Total thickness

Siebfeld-dicke
Thickness screening area

Stegbreite
Bridge width

Offene Fläche
Open area

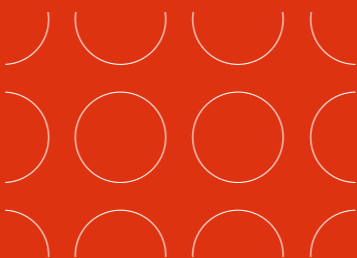
a [mm]	d [mm]	c [mm]	e [mm]	A ₀ [%]
30,0	25	25	9,00/12,00	49,84
36,0	50	42	24,00/30,00	20,41
40,0	25	25	20,00/22,00	39,01
45,0	25	25	20,00	43,47
45,0	50	50	20,00	43,47
50,0	25	25	20,00	46,28
50,0	35	35	18,00	49,04
50,0	50	50	28,50	36,80
50,0	65	65	25,00	40,31
55,0	28	28	20,00	48,78
55,0	60	60	20,00	48,78
60,0	22	22	25,00/30,00	42,68
60,0	35	35	25,00/30,00	42,68
60,0	50	50	25,00/30,00	42,68
60,0	60	60	26,00/30,00	42,68
62,0	40	40	15,00/22,00	53,90
65,0	35	35	26,00	46,28
65,0	75	75	26,00	46,28
68,0	50	50	26,00	47,46
70,0	30	30	31,00/36,00	41,51
70,0	50	50	31,00/36,00	41,51
70,0	65	65	31,00/36,00	41,51
73,0	20	20	nach Rücksprache/after consulting	
75,0	60	60	nach Rücksprache/after consulting	
80,0	30	30	25,00	52,65
80,0	45	45	35,00	43,89

Lochungen

Quadratlochungen
MAX
Langlochungen
S90
Rechtecklochungen
→ **Rundlochungen**
Tränenlochungen

Openings

Square openings
MAX
Slotted openings
S90
Rectangular openings
→ Round openings
Tear-shaped openings

**Rund-**
lochungen

Round
openings

Gesamt-
dicke

Total
thickness

Siebfeld-
dicke

Thickness
screening
area

Stegbreite

Bridge
width

Offene Fläche

Open area

a [mm]	d [mm]	c [mm]	e [mm]	A ₀ [%]
80,0	60	60	40,00	40,31
90,0	35	35	35,00	47,02
90,0	60	60	35,00	47,02
100,0	50	50	37,00/50,00	44,14
100,0	60	60	45,00	43,14
100,0	80	80	50,00	40,31
110,0	75	75	60,00	37,97
120,0	25	25	40,00/58,00	45,86
120,0	35	35	40,00/58,00	45,86
125,0	50	50	40,00/50,00	49,08
125,0	75	75	40,00/50,00	49,08
130,0	35	35	45,0	50,05
130,0	60	60	45,0	50,05
130,0	95	95	45,0	50,05
150,0	42	42	35,0	59,63
150,0	50	50	35,0	59,63
150,0	75	75	35,0	59,63
160,0	45	45	40,0	58,05
175,0	50	50	45,0	57,39
175,0	75	75	45,0	57,39
180,0	50	50	50,0	55,55
200,0	50	50	60,0	53,67
200,0	75	75	60,0	53,67
280,0	85	85	92,0	51,39
470,0	75	75	80,0	66,23

Lochungen

Quadratlochungen
MAX
Langlochungen
S90
Rechtecklochungen
Rundlochungen
→ **Tränenlochungen**

Openings

Square openings
MAX
Slotted openings
S90
Rectangular openings
Round openings
→ Tear-shaped openings

**Tränen-**
lochungen

Tear-shaped
openings

Gesamt-
dicke

Total
thickness

VARIA
VARIA**Siebfeld-**
dicke

Thickness
screening
area

Stegbreite

Bridge
width

Offene
Fläche

Open area

Offene
Fläche

Open area
VARIA

Referenz-
Gewicht

Reference
weight

a [mm]	d [mm]	y [mm]	c [mm]	e [mm]	A ₀ [%]	A _{eff} [%]*	m [kg]*
3/4,5x25 ¹		35	12	6/7,5		19,82	8,60
3/5x25 ¹		35	12	6/8	22,95	19,67	8,20
3/5x25 ¹		35	12	6/8	22,95	16,50	8,20
3/6,3x30	30	35	14	4,2/7,5	37,64	24,90	8,30
3,5/4,5x30	25	35	10	4/5	31,37	20,16	8,20
4/6x30	25	35	12	5/7	24,96	19,00	10,00
6/8,5x30	25	35	12	5,5/8	35,41	24,36	11,00
8/10,5x30	30	35	15	6/8,5	36,58	26,46	11,10
8/12x68 ¹	30	35	12	11/16	35,87	12,44	12,60
8/13x68	20	35	12	11/16	35,74	13,09	12,60
10/13x35	30	35	16	7/10	36,84	28,98	10,20
12/16x35	30	35	20	8,5/12,5	36,32	29,40	9,50
20/25x68	35	35	20	nach Rücksprache/after consulting			
16/20x82	30	35	18	12/16	41,49	23,61	17,50
25/40x90	35	35	20	nach Rücksprache/after consulting			
30/50x91	35	45	35	nach Rücksprache/after consulting			
90/110x150	55	55	50	nach Rücksprache/after consulting			

¹nur Stecksiebe ¹Modular screens only

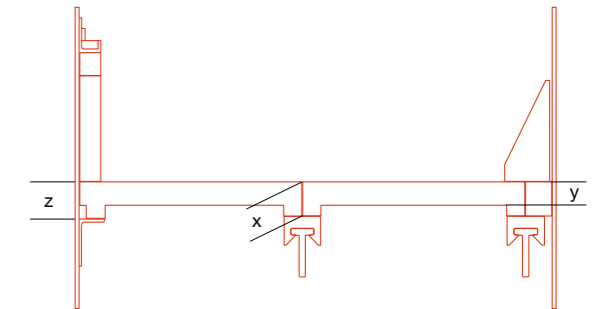
*für Standardgrößen 300 mm x 1000 mm *for standard sizes 300 mm x 1000 mm



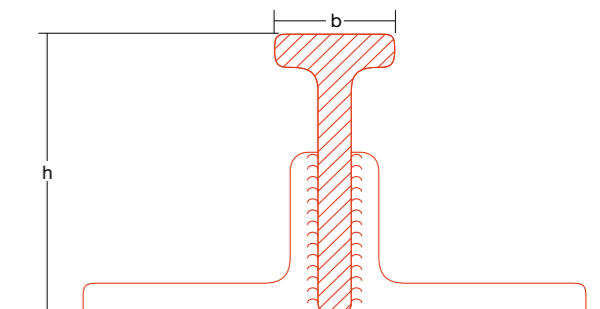
- Zubehör**
→ Stecksysteme
 Adapterleisten
 Abweiser
 Seitenbefestigungen
 Keilleisten
 Befestigungskeile
 Befestigungstöpfe
 Schraubenschutzkappen
 Mittenbefestigungsleisten
 Spannfalze
- Accessories
→ Modular systems
 Adapter bars
 Deflectors
 Side attachments
 Wedge bars
 Attachment wedges
 Attachment plugs
 Bolt protection caps
 Middle attachment bars
 Tensioning bars and hooks

VARIA-Stecksystem VARIA modular system

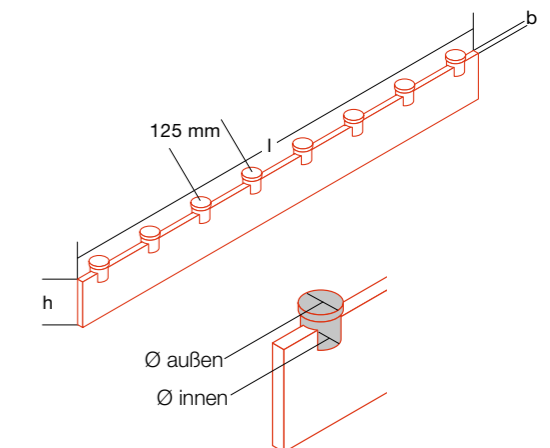
Lochgrößen Opening sizes	Gesamt- dicke Total thickness	Bauhöhe Screen thickness	Randhöhe Edge thickness
[mm]	x [mm]	y [mm]	z [mm]
bis 29	51,5	35	55
29 bis 45	61,5	45	65
ab 45	71,5	55	75


Stahlprofil VARIA Steel profile VARIA

	Länge Length	Breite Width	Höhe Height
	l [mm]	b [mm]	h [mm]
1m (5,73 kg)	1000	30	70
variabel variable	400–6000	30	70


Stahlprofil IDEAL Steel profile IDEAL

	Höhe Height	Durch- messer außen Diameter external	Durch- messer innen Diameter internal
	h [mm]	Ø [mm]	Ø [mm]
Bolzen Bolts	30	30	23
	Länge Length	Breite Width	Höhe Height
	l [mm]	b [mm]	h [mm]
Flachstahl Flat steel	400–6000	12	80
variabel variable	400–6000	12	60–110



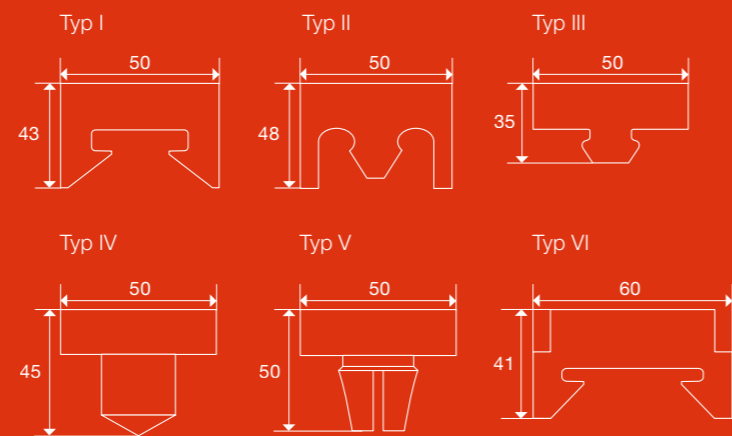
Bauhöhen Siebbelag IDEAL: 30/40/50 mm, abhängig von der Lochgröße
 Depth of IDEAL screen panel: 30/40/50 mm, depending on opening size.

Andere Maße auf Anfrage möglich.
 Other sizes and dimensions available on request.

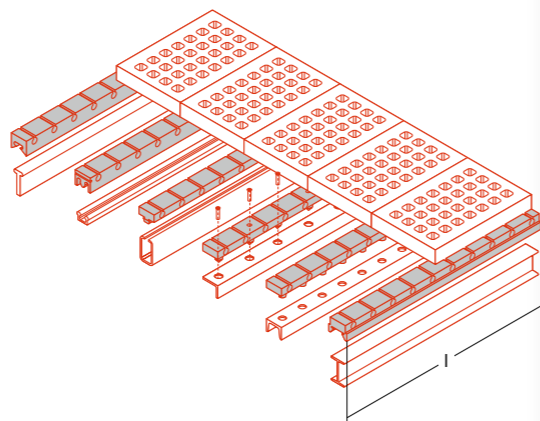
Zubehör

Stecksysteme
 → **Adapterleisten**
 → **Abweiser**
 Seitenbefestigungen
 Keilleisten
 Befestigungskeile
 Befestigungstöpfe
 Schraubenschutzkappen
 Mittenbefestigungsleisten
 Spannfalze

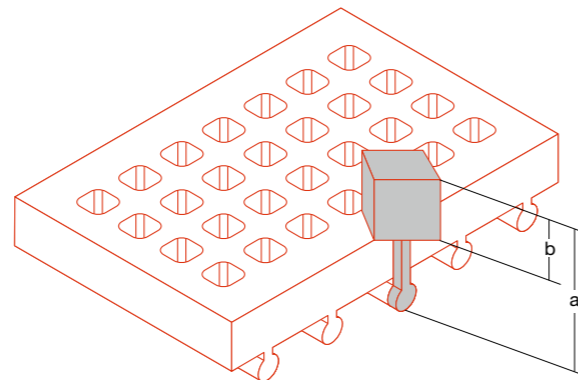
Accessories
 Modular systems
 → Adapter bars
 → Deflectors
 Side attachments
 Wedge bars
 Attachment wedges
 Attachment plugs
 Bolt protection caps
 Middle attachment bars
 Tensioning bars and hooks

**Adapterleisten – Standardmaße** Adapter bars – Standard dimensions

	Länge Length l [mm]	Breite Width b [mm]	Höhe Height h [mm]	Artikel-Nr. Article-No.	Gewicht Weight m [kg]
Typ Type I	995	50	43	231631001	1,60
Typ Type II	995	50	48	231632001	1,30
Typ Type III	995	50	35	231633001	1,20
Typ Type IV	995	50	45	231634001	1,10
Typ Type V	995	50	50	231635005	1,00
Typ Type VI	995	60	41	231636001	1,30

**Abweiser** Deflector

	Gesamt- höhe Total height a [mm]	Höhe Kubus Cube height b [mm]	Artikel-Nr. Article-No.
Typ Type VARIA	51,5	40	231900003
Typ Type VARIA	61,5	40	231900001
Typ Type VARIA	71,5	40	231900004



Andere Maße auf Anfrage möglich.
 Other sizes and dimensions available on request.

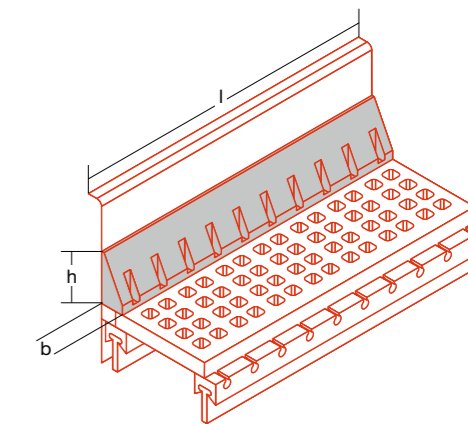
**Zubehör**

Stecksysteme
 Adapterleisten
 Abweiser
 → **Seitenbefestigungen**
 Keilleisten
 Befestigungskeile
 Befestigungstöpfe
 Schraubenschutzkappen
 Mittenbefestigungsleisten
 Spannfalze

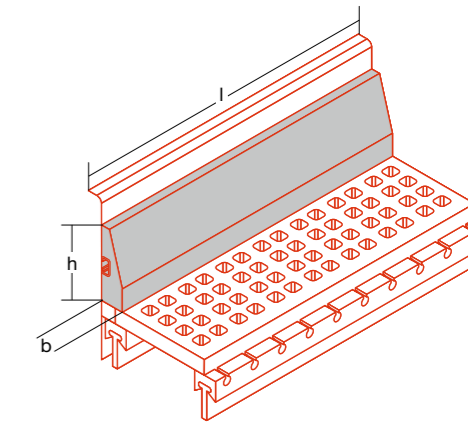
Accessories
 Modular systems
 Adapter bars
 Deflectors
 → Side attachments
 Wedge bars
 Attachment wedges
 Attachment plugs
 Bolt protection caps
 Middle attachment bars
 Tensioning bars and hooks

Wangenschutzleisten (Typ VARIA) Sidewall protection bars (Type VARIA)

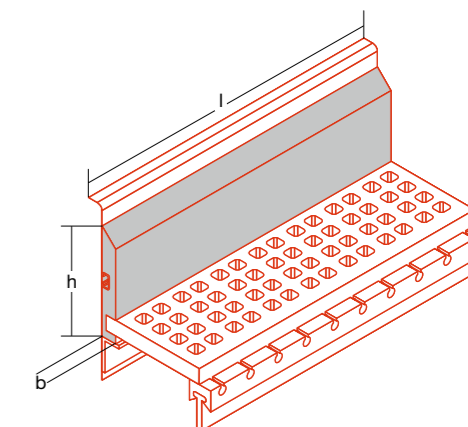
	Länge Length l [mm]	Breite Width b [mm]	Höhe Height h [mm]	Artikel-Nr. Article-No.	Gewicht Weight m [kg]
Typ VA-I Type VA-I	1000	60	100	231654101	3,00
Typ VA-I Type VA-I	1000	60	150	231654103	4,10
Typ VA-II Type VA-II	1000	58	200	231654201	4,86
Typ VA-III Type VA-III	1000	58	300	231654301	5,50

**Randleisten geschraubt (Typ VARIA)**
Bolted edge bars (Type VARIA)

	Länge Length l [mm]	Breite Width b [mm]	Höhe Height h [mm]
Maße Sizes	150–2000	20–60	15–300

**Sonderrandleisten geschraubt (Typ VARIA)**
Bolted special edge bars (Type VARIA)

	Länge Length l [mm]	Breite Width b [mm]	Höhe Height h [mm]
Maße Sizes	150–2000	20–60	15–300



Andere Maße auf Anfrage möglich.
 Other sizes and dimensions available on request.

Zubehör

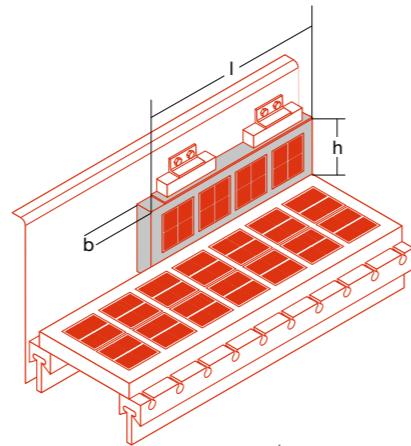
Stecksysteme
Adapterleisten
Abweiser
→ **Seitenbefestigungen**
Keilleisten
Befestigungskeile
Befestigungstöpfe
Schraubenschutzhappen
Mittenbefestigungsleisten
Spannfalze

Accessories
Modular systems
Adapter bars
Deflectors
→ Side attachments
Wedge bars
Attachment wedges
Attachment plugs
Bolt protection caps
Middle attachment bars
Tensioning bars and hooks

**Randleisten Entwässerung (Typ VARIA)**

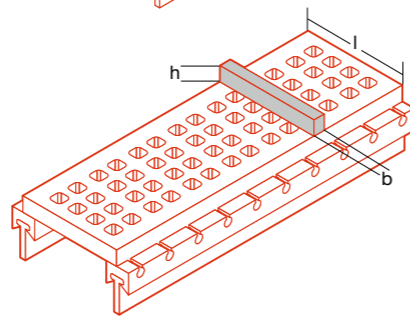
Dewatering edge bars (Type VARIA)

	Länge Length l [mm]	Breite Width b [mm]	Höhe Height h [mm]
Maße Sizes	150–2000	20–60	15–300

**Stauleisten (Typ VARIA)**

Retarder bars (Type VARIA)

	Länge Length l [mm]	Breite Width b [mm]	Höhe Height h [mm]
Maße Sizes	50–2000	20–60	20–60



Andere Maße auf Anfrage möglich.
Other sizes and dimensions available on request.

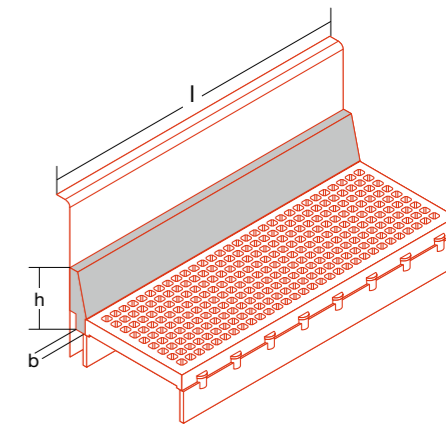
Zubehör

Stecksysteme
Adapterleisten
Abweiser
→ **Seitenbefestigungen**
Keilleisten
Befestigungskeile
Befestigungstöpfe
Schraubenschutzhappen
Mittenbefestigungsleisten
Spannfalze

Accessories
Modular systems
Adapter bars
Deflectors
→ Side attachments
Wedge bars
Attachment wedges
Attachment plugs
Bolt protection caps
Middle attachment bars
Tensioning bars and hooks

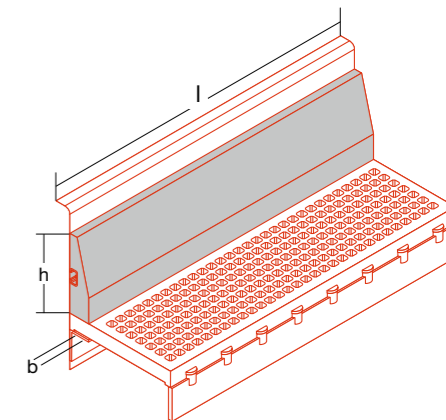
**Wangenschutzleisten (Typ IDEAL) Sidewall protection bars (Type IDEAL)**

	Länge Length l [mm]	Breite Width b [mm]	Höhe Height h [mm]	Artikel-Nr. Article-No.	Gewicht Weight m [kg]
Typ Type IDEAL	1000	35	110	231658001	3,00
Typ Type IDEAL	1000	45	120	231658024	6,60
Typ Type IDEAL	1000	50	130	231658010	6,00

**Randleisten geschraubt (Typ IDEAL)**

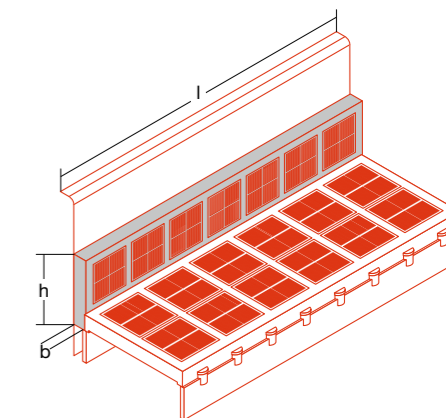
Bolted edge bars (Type IDEAL)

	Länge Length l [mm]	Breite Width b [mm]	Höhe Height h [mm]
Maße Sizes	150–1000	25–55	100–150

**Randleisten Entwässerung (Typ IDEAL)**

Dewatering edge bars (Type IDEAL)

	Länge Length l [mm]	Breite Width b [mm]	Höhe Height h [mm]
Maße Sizes	150–1000	25–55	100–300



Andere Maße auf Anfrage möglich.
Other sizes and dimensions available on request.

Zubehör

Stecksysteme
Adapterleisten
Abweiser
→ **Seitenbefestigungen**
Keilleisten
Befestigungskeile
Befestigungstöpfe
Schraubenschutzkappen
Mittenbefestigungsleisten
Spannfalze

Accessories
Modular systems
Adapter bars
Deflectors
→ Side attachments
Wedge bars
Attachment wedges
Attachment plugs
Bolt protection caps
Middle attachment bars
Tensioning bars and hooks

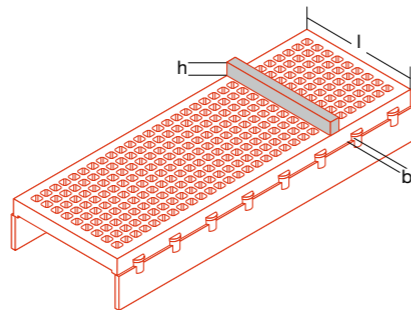
**Stableisten (Typ IDEAL)**

Retarder bars (Type IDEAL)

	Länge Length l [mm]	Breite Width b [mm]	Höhe Height h [mm]
Maße Sizes	50–2000	20–60	20–60

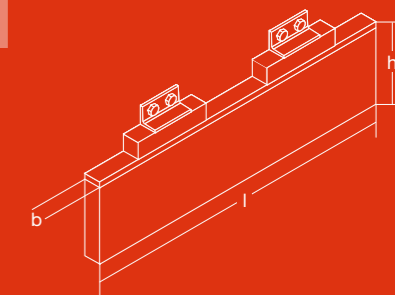
Andere Maße auf Anfrage möglich.

Other sizes and dimensions available on request.

**Zubehör**

Stecksysteme
Adapterleisten
Abweiser
→ **Keilleisten**
Befestigungskeile
Befestigungstöpfe
Schraubenschutzkappen
Mittenbefestigungsleisten
Spannfalze

Accessories
Modular systems
Adapter bars
Deflectors
→ Side attachments
Wedge bars
Attachment wedges
Attachment plugs
Bolt protection caps
Middle attachment bars
Tensioning bars and hooks

**GIGANT Gummi Rubber**

Breite
Width

Höhe
Height

Gewicht
Weight

b [mm]	h [mm]	m [kg/m]
30	20	2,0
30	30	2,7
30	40	3,0
30	50	3,3
30	60	3,9
40	40	4,1
40	50	4,5
40	60	4,9
40	70	5,3
40	80	5,7
40	90	6,9
40	100	7,0
40	110	7,5
40	120	8,0
40	130	8,5
40	140	9,0
40	150	10,0
40	160	11,5
40	190	11,8
40	200	12,0
50	30	3,0
50	50	5,7
50	60	6,3
50	70	6,9
50	80	7,6

GIGANT Gummi Rubber

Breite
Width

Höhe
Height

Gewicht
Weight

b [mm]	h [mm]	m [kg/m]
50	90	8,2
50	100	8,8
50	110	9,4
50	120	10,0
50	130	10,7
50	140	12,7
50	150	12,0
50	180	14,5
50	190	18,5
50	200	19,5
50	240	22,7
50	250	23,2
50	330	30,5
60	70	9,0
60	80	9,5
60	100	13,0
60	110	13,2
60	130	13,4
60	140	13,5
60	150	14,0
60	160	14,8
60	170	15,5
60	180	16,2
60	190	17,0
60	200	18,0

GIGANT Gummi Rubber

Breite
Width

Höhe
Height

Gewicht
Weight

b [mm]	h [mm]	m [kg/m]
60	210	19,0
60	220	20,0
60	240	21,7
60	250	23,0
60	300	27,0
70	90	13,0
70	200	21,5
80	160	20,0

Zubehör

Stecksysteme
Adapterleisten
Abweiser
Seitenbefestigungen

Accessories

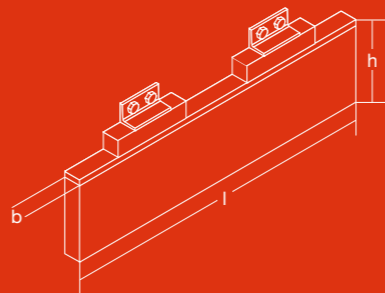
Modular systems
Adapter bars
Deflectors
Side attachments

→ **Keilleisten**

Befestigungskeile
Befestigungstöpfe
Schraubenschutzkappen
Mittenbefestigungsleisten
Spannfalze

→

Wedge bars
Attachment wedges
Attachment plugs
Bolt protection caps
Middle attachment bars
Tensioning bars and hooks

**KÜPRENE Kunststoff** polyurethane

Breite
Width

Höhe
Height

Gewicht
Weight

b [mm]	h [mm]	m [kg / m]
20	20	1,5
30	30	2,7
30	40	3,0
30	80	6,0
40	40	4,5
40	50	4,1
40	60	4,9
40	70	5,3
40	80	5,7
40	90	6,0
40	100	6,5
40	120	7,3
40	150	9,4
50	30	4,5
50	40	5,1
50	50	5,7
50	60	6,8
50	120	10,0
50	130	10,6
50	150	14,0
50	200	14,7

Zubehör

Stecksysteme
Adapterleisten
Abweiser
Seitenbefestigungen
Keilleisten

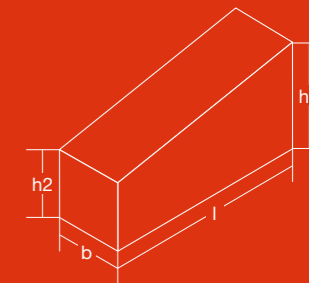
Accessories
Modular systems
Adapter bars
Deflectors
Side attachments
Wedge bars

→ **Befestigungskeile**

Befestigungstöpfe
Schraubenschutzkappen
Mittenbefestigungsleisten
Spannfalze

→

Attachment wedges
Attachment plugs
Bolt protection caps
Middle attachment bars
Tensioning bars and hooks



**Artikel-
nummer**
Article-
number

Typ
Type

Länge
Length

Breite
Width

Höhe 1
Height 1

Höhe 2
Height 2

		l [mm]	b [mm]	h1 [mm]	h2 [mm]
231701002		100	30	25	15
231701001		100	30	35	25
231701003	20/10	100	40	30	20
231701004		100	40	40	30
231701101	19/10	110	30	30	25
231701203		120	30	25	10
231701204	16/10	120	30	30	10
231701205		120	30	35	20
231701201	18/10	120	30	35	25
231701206		12	30	45	30
231701212		120	30	45	32
231701207		120	30	60	45
231702013		120	35	35	25
231701211		120	40	40	25
231701208		120	40	45	30
231701209	13/5	120	55	40	30
231701210		120	60	40	30
231701202		125	30	25	15
231701401		140	25	35	10
231701402		140	30	35	10
231701403		140	30	40	30
231701406		140	30	50	30
231701404		140	30	70	65
231701405		140	40	55	40
231701407		145	35	35	25
231701501		150	15	27	13

Zubehör

Stecksysteme
Adapterleisten
Abweiser
Seitenbefestigungen
Keilleisten

Accessories

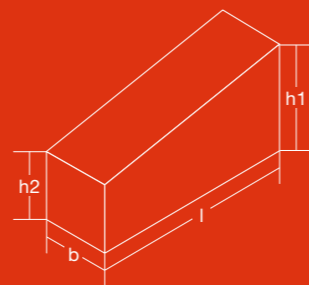
Modular systems
Adapter bars
Deflectors
Side attachments
Wedge bars

→ **Befestigungskeile**

Befestigungstöpfe
Schraubenschutzkappen
Mittenbefestigungsleisten
Spannfalze

→ Attachment wedges

Attachment plugs
Bolt protection caps
Middle attachment bars
Tensioning bars and hooks



Artikel- nummer Article- number	Typ Type	Länge Length	Breite Width	Höhe 1 Height 1	Höhe 2 Height 2
--	-------------	-----------------	-----------------	--------------------	--------------------

		l [mm]	b [mm]	h1 [mm]	h2 [mm]
231701502		150	25	30	20
231701503	14/7	150	30	30	25
231701506		150	30	35	25
231701505		150	30	40	20
231715015		150	30	55	42
231701507		150	35	30	20
231701509		150	40	20	10
231701512		150	40	30	20
231701516		150	40	35	20
231701504		150	40	35	22
231701508		150	40	40	27
231701517		150	40	50	20
231701510		150	40	55	42
231701511		150	50	45	25
231701601	18/10	160	30	30	15
231701609		160	30	40	20
231701602		160	30	65	25
231701603	17/10	160	40	30	15
231701604		160	40	40	20
231701605		160	40	50	40
231701606	5/4	160	50	50	25
231701607		160	55	40	20
231701610		165	40	35	10
231701608	10/10	165	55	40	20
231701805		180	40	35	20
231701801		180	40	40	15

Zubehör

Stecksysteme
Adapterleisten
Abweiser
Seitenbefestigungen
Keilleisten

Accessories

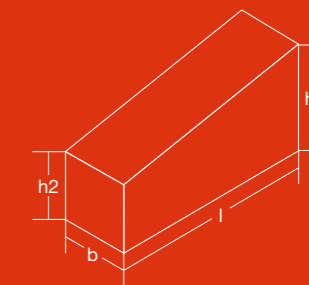
Modular systems
Adapter bars
Deflectors
Side attachments
Wedge bars

→ **Befestigungskeile**

Befestigungstöpfe
Schraubenschutzkappen
Mittenbefestigungsleisten
Spannfalze

→ Attachment wedges

Attachment plugs
Bolt protection caps
Middle attachment bars
Tensioning bars and hooks



Artikel- nummer Article- number	Typ Type	Länge Length	Breite Width	Höhe 1 Height 1	Höhe 2 Height 2
--	-------------	-----------------	-----------------	--------------------	--------------------

		l [mm]	b [mm]	h1 [mm]	h2 [mm]
231701802	11/5	180	40	40	20
231701803		180	50	40	15
231701804		180	50	70	45
231701901		195	40	55	40
231702002		200	30	40	25
231702003		200	30	45	35
231702004	9/13	200	35	40	25
231702005		200	35	55	35
231702022		200	40	30	10
231702006		200	40	40	20
231702008		200	40	40	25
231702007		200	40	50	20
231702009	3/8	200	40	50	30
231702010		200	40	60	30
231702011		200	40	50	35
231702012	4/6	200	40	50	40
231702001		200	40	60	40
231702013		200	40	65	45
231702014		200	45	50	30
231702015		200	45	70	50
231702024		200	50	30	5
231702018		200	50	30	10
231702019		200	50	35	25
231702025		200	50	40	15
231702017		200	50	40	20
231702016		200	50	50	20

Zubehör

Stecksysteme
Adapterleisten
Abweiser
Seitenbefestigungen
Keilleisten

Accessories

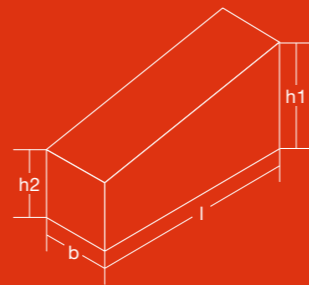
Modular systems
Adapter bars
Deflectors
Side attachments
Wedge bars

→ **Befestigungskeile**

Befestigungstöpfe
Schraubenschutzkappen
Mittenbefestigungsleisten
Spannfalze

→ Attachment wedges

Attachment plugs
Bolt protection caps
Middle attachment bars
Tensioning bars and hooks



Artikel- nummer Article- number	Typ Type	Länge Length	Breite Width	Höhe 1 Height 1	Höhe 2 Height 2
--	-------------	-----------------	-----------------	--------------------	--------------------

		l [mm]	b [mm]	h1 [mm]	h2 [mm]
231702020		200	60	35	15
231702021		200	60	50	30
231702101	15/8	210	30	35	25
231702102		215	28	35	25
231702201		220	40	45	35
231702202		220	45	45	25
231702203	7/5	220	50	45	25
231702204	2/3	220	60	50	25
231702301		230	30	45	25
231702302		230	40	65	35
231702401		240	55	70	30
231702402		240	60	70	30
231702501		250	40	60	40
231702502		250	45	55	35
231702503		250	50	40	20
231702504		250	50	75	35
231702505		250	50	60	43
231702511		250	50	80	50
231702506		250	55	75	20
231702507		250	60	40	20
231702508		250	60	50	25
231702509		250	65	65	50
231702510	1/3	250	80	55	40
231702701	6/6	270	40	45	35
231702901		290	40	20	2
231702902		290	65	20	2

Zubehör

Stecksysteme
Adapterleisten
Abweiser
Seitenbefestigungen
Keilleisten

Accessories

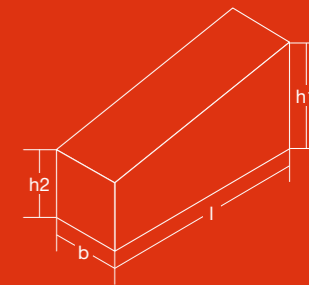
Modular systems
Adapter bars
Deflectors
Side attachments
Wedge bars

→ **Befestigungskeile**

Befestigungstöpfe
Schraubenschutzkappen
Mittenbefestigungsleisten
Spannfalze

→ Attachment wedges

Attachment plugs
Bolt protection caps
Middle attachment bars
Tensioning bars and hooks



Artikel- nummer Article- number	Typ Type	Länge Length	Breite Width	Höhe 1 Height 1	Höhe 2 Height 2
--	-------------	-----------------	-----------------	--------------------	--------------------

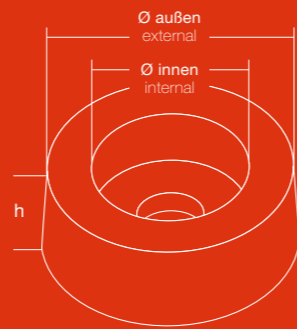
		l [mm]	b [mm]	h1 [mm]	h2 [mm]
231702903		295	40	20	6
231702904		295	65	20	6
231703001		300	50	50	30
231711503/504	rechts/links	150	35	32/37	22/27
231711505/506	rechts/links	150	35	25/30	15/20
231711507/508	rechts/links	150	35	35/40	25/30
231711501/502	rechts/links	150	40	30/40	25/35
231711701/702	rechts/links	170	40	25/40	20/23
231711801/802	rechts/links	180	38	31/38	18/25
231712003/004	rechts/links	200	48	33/43	24/34
231712005/006	rechts/links	200	50	35/50	28/42
231712009/010	rechts/links	200	50	48/53	31/36
231712001/002	rechts/links	205	48	34/48	28/42
231712007/008	rechts/links	205	50	32/45	25/38
231712011/012	rechts/links	205	50	40/48	24/32
231712101/102	rechts/links	210	60	40/47	30/40
231712103/104	rechts/links	215	50	40/50	32/40
231712301/002	rechts/links	230	35	45/55	27/37
231712501/502	rechts/links	250	68	49/61	31/43

Zubehör

Stecksysteme
Adapterleisten
Abweiser
Seitenbefestigungen
Keilleisten
Befestigungskeile

Accessories

Modular systems
Adapter bars
Deflectors
Side attachments
Wedge bars
Attachment wedges
Attachment plugs
Bolt protection caps
Middle attachment bars
Tensioning bars and hooks

→ **Befestigungstöpfe**

Schraubenschutzhappen
Mittenbefestigungsleisten
Spannfalze



Bolt protection caps
Middle attachment bars
Tensioning bars and hooks

Artikelnummer Article number	Typ/ Zeichnung Type/ drawing	Durchmesser außen External diameter	Höhe Height	Durchmesser innen Diameter internal	Gewicht Weight
---------------------------------	---------------------------------------	---	----------------	---	-------------------

		Ø [mm]	h [mm]	Ø [mm]	m [kg/Stk.]
231682004	BT 1	70	22	18	0,10
231682034	BT 1	70	22	16	0,10
231682003	BT 2	75	35	18	0,15
231682007	BT 3	80	45	18	0,20
231682008	BT 4	100	45	18	0,25
231682005	BT 5	100	65	26	0,35
231682006	BT6/S5048-4	50	30	17/14	
231682002	BT 7	50	30	35/14	
231682035 ²	S6462-4	100x100	30	26/15	
231682031 211682001	S1260	120x120	55	2x18 bei 50	0,63
231682032	S1963	130x130	55	2x18 bei 85	
231682033 211682002	S2073	175x102	55	26	
211682003 ³	S6004-4	175x102	55	18	
231682001	S4202	80	45	2x13 bei 30	
231682009 ⁴	S5293-4	50x50	70		

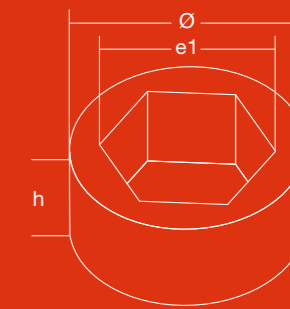
²Langloch Slotted openings ³(S2073) ⁴für Stahlsiebbefestigungen Steel screen fixings

Zubehör

Stecksysteme
Adapterleisten
Abweiser
Seitenbefestigungen
Keilleisten
Befestigungskeile
Befestigungstöpfe

Accessories

Modular systems
Adapter bars
Deflectors
Side attachments
Wedge bars
Attachment wedges
Attachment plugs
Bolt protection caps
Middle attachment bars
Tensioning bars and hooks

→ **Schraubenschutzhappen**→ **Mittenbefestigungsleisten**

Spannfalze

→ Bolt protection caps

→ Middle attachment bars

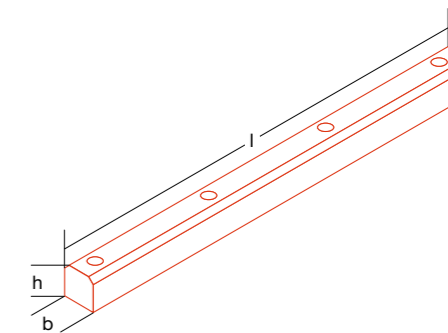
Tensioning bars and hooks

Schraubenschutzhappen Bolt protection caps

	Durchmesser Diameter Ø [mm]	Eckenmaß Corner-to corner e1 [mm]	Höhe Height h [mm]	Artikel-Nr. Article-No.
M12	33	21,15	25	232200021
M16	35	26,75	25	232200001
M16	40	26,75	15	232200001
M20	44	34	45	232200004
M20	44	34	22	232200005
M20	44	34	25	232200006

Mittenbefestigungsleisten Middle attachment bars

	Länge Length l [mm]	Breite Width b [mm]	Höhe Height h [mm]	Artikel-Nr. Article-No.
GIGANT	1000	60	60	211681000
KÜPRENE	1000	80	60	231681000
variabel variable	100–2500	60/80	15–100	



Andere Maße auf Anfrage möglich.
Other sizes and dimensions available on request.

Stecksysteme
Adapterleisten
Abweiser
Seitenbefestigungen
Keilleisten
Befestigungskeile
Befestigungstöpfe
Schraubenschutzkappen
Mittenbefestigungsleisten

Accessories
Modular systems
Adapter bars
Deflectors
Side attachments
Wedge bars
Attachment wedges
Attachment plugs
Bolt protection caps
Middle attachment bars
Tensioning bars and hooks

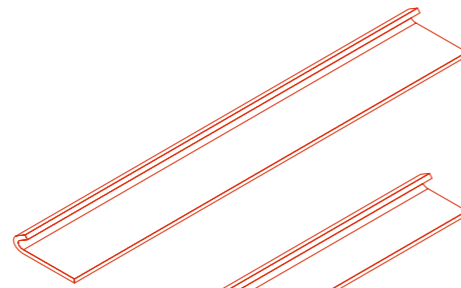
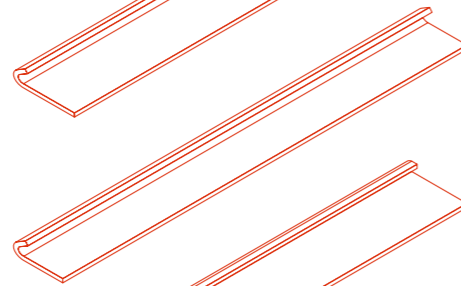
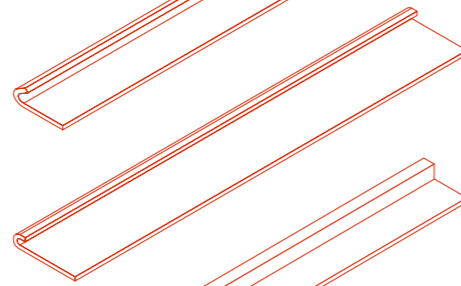
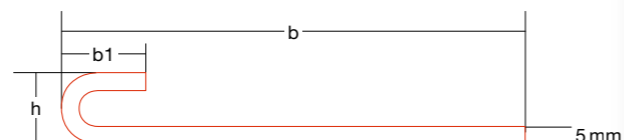
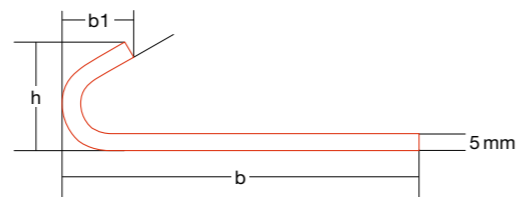
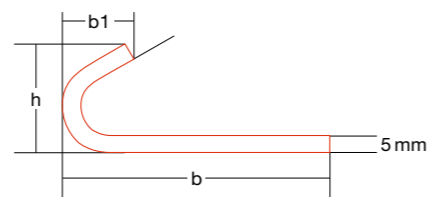
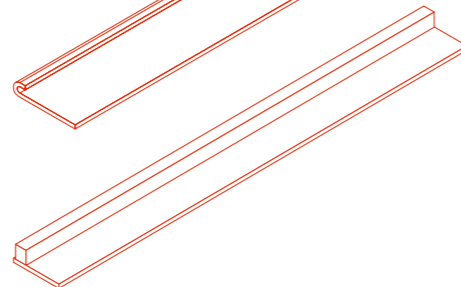
→ **Spannfalze****Spannfalze (Werkstoffdicke 5 mm)**

Tensioning bars and hooks (Material thickness 5 mm)

	Höhe Height	Breite Width	Gesamt- breite Total width
	h [mm]	b1 [mm]	b [mm]
Typ 1 Type 1	31	20	100
Typ 2 Type 2	31	20	75
Typ 3 Type 3	20	23,5	130
Typ 4 Type 4	Ausführung variabel/Design variable		

Andere Maße auf Anfrage möglich.

Other sizes and dimensions available on request.

Typ 1
Type 1**Typ 2**
Type 2**Typ 3**
Type 3**Typ 4**
Type 4

Artikel- nummer Article- number KÜPRENE	Artikel- nummer Article- number GIGANT	Durch- messer außen External diameter	Segment- breite Segment width	Steigung Rise	Gesamt- dicke Total thickness	Bohrungen pro Segment Bolt holes per segment	Segment- windung Segment turn
		Ø [mm]	b [mm]		d [mm]		
	213002501	250	60	250	16	2	6
	213002502	250	60	150	16	2	6
233000007		270	80	175	15	2	6
233000008		270	80	270	15	2	6
233003001		300	95	250	15	2	6
233003002		300	95	200	15	2	6
233003101		315	100	300	12	2	6
233003102		315	94		12	2	
233003701		375	100	350	15	2	6
233003801	213003801	380	115		15/25	2	4
	213003802	380	112,5	200	15	2	6
233003802		380	50	240	15	1	6
233004001		400	100	300	15	2	8
233004002		400	80	170/180	15	2	6
233004003		400	60	350	15	2	6
233004004		400	100	300	15	2	8
233004005	213004001	400	60	350	15	2	6
233004006		400	128,5	135	15	2	
233004007		400	130	170	15	2	6
233004401		400	165	255	15	2	6
233004201		420	65		15	3	4
	213004703	475	120	400	15	2	6
	213004701	475	120	400	25	2	6
	213004702	475	60	400	15	3	6
233005001		500	120	225	15	2	6
233005002		500	140	250	20	3	2

Andere Maße auf Anfrage möglich.

Other sizes and dimensions available on request.



Artikelnummer Article number KÜPRENE	Artikelnummer Article number GIGANT	Durchmesser außen External diameter	Segmentbreite Segment width	Steigung Rise	Gesamtdicke Total thickness	Bohrungen pro Segment Bolt holes per segment	Segmentwindung Segment turn
--	---	--	--------------------------------	------------------	--------------------------------	---	--------------------------------

		Ø [mm]	b [mm]		d [mm]		
233005003		500	120	250/300	15	2	6
233005004		500	150	225	15	2	6
233005005		500	140	250	20	3	2
233005006		500	122		15	6	
233005007		500	140	250	20	3	2
233005008		500	120	300	15	2	6
233005009		500	100	400	20	2	7
233006001		600	150	210	15	5	6
233006002	213006001	600	180	270	15	5	6
	213006003	600	150	440	15	6	4
233006010	213006002	600	150	300/330	15	5	4
233006003		600	105	200	15	2	8
233006004		600	150	500	15	5	6
233006005		600	151	330	15	5	6
233006006		600	148	260/330	15	5	6
233006007		600	144,5	450	15	5	6
233006008		600	150	400	15	5	6
233006009		600	180	150	15	5	6
233006011		600	180	270	150	0	6
233006201		620	160	400	15	5	6
	213006701	670	217,5		20	11	
	213006702	670	218		20	11	
233006801		680	220		20		
233007001		700	150	310/320	15	5	6
233007002	213007001	700	150	365/400	15	5	6
233007003	213007002	700	225	315	15	5	6

Andere Maße auf Anfrage möglich.
Other sizes and dimensions available on request.



Artikelnummer Article number KÜPRENE	Artikelnummer Article number GIGANT	Durchmesser außen External diameter	Segmentbreite Segment width	Steigung Rise	Gesamtdicke Total thickness	Bohrungen pro Segment Bolt holes per segment	Segmentwindung Segment turn
--	---	--	--------------------------------	------------------	--------------------------------	---	--------------------------------

		Ø [mm]	b [mm]		d [mm]		
233007004		700	225	320/330	15	5	6
233007005		700	100	250	15	3	6
233007006		700	150	350	15	5	6
233007007		700	150	450	15	5	6
233007008		700	150	450	15	0	6
233007201		720	150	450	15		6
233007501		750	150	440	15	5	6
233007701		770	150	440	15		6
233008001		800	120,5	260/300	15	5	4
233008002	213008001	800	198	300/330	15	7	4
233008002	213008001	800	198	350/360	15	7	4
233008002	213008001	800	198	380	15	7	4
233008003	213008002	800	265	300/360	15	8	4
	213008003	800	213	520	15	7	4
233008004		800	213	520	15	7	4
233008005		800	265	360	15	9	4
233008301		830	215	380	15	7	4
233009001		900	300	360/390	15	8	4
233009001		900	300	400	15	8	4
233009002		900	300	480	15	8	4
233009003		900	300	360	15	6	4
233009004		900	200	360/400	15	7	4
233009005		900	200	460	15	7	4
233009006		900	200	480	15	7	4
233009007		900	198,8	360	15	0	
233009008		900	200		20	7	4

Andere Maße auf Anfrage möglich.
Other sizes and dimensions available on request.

Joachim Edinger Industrievertretungen
 Kalkofenstraße 25d
 91227 Leinburg
 Tel: +49 09120 8388
 Fax: +49 09120 7769560-9
 info[at]edinger-direkt.de
 www.edinger-direkt.de



Artikel- nummer Article- number KÜPRENE	Artikel- nummer Article- number GIGANT	Durch- messer außen External diameter	Segment- breite Segment width	Steigung Rise	Gesamt- dicke Total thickness	Bohrungen pro Segment Bolt holes per segment	Segment- windung Segment turn
		Ø [mm]	b [mm]		d [mm]		
233009101		915	245	440	20	4	6
233009201		920	200	410	15	7	4
233009701		970	300	420	15	9	4
233009801		980	180	430	15	7	4
233010001		1000	300	220	15	7	4
233010002	213010001	1000	297,5	370/400	15	8	4
233010002	213010001	1000	297,5	430/450	15	8	4
233010003		1000	297,5	400/370	15	7	4
233010004		1000	300	500	15	0	4
233010005		1000	200	500	15	7	4
233010006		1000	300	500	15	8	4
233010007		1000	294	400/500	15	8	4
233010008	213010003	1000	200	400/500	15	7	4
233010009	213010002	1000	200	530	15	7	4
233010010		1000	149	400	15	7	4
233010011		1000	297,5	0	15	9	0
233010012		1000	300	500	15	9	4
233010013		1000	300	400	15	9	4
233010014		1000	297,5	400/370	15	9	4
233010015		1000	200	400	15	7	4
233010016		1000	360	500	30/15	10	0
233010017		1000	297,5	400	15	7	4
233010018		1000	350	410	25	10	3
233010019		1000	350	400	15	0	4
233010020		1000	360	500	15	0	0
233010021		1000	300	450	15	9	4

Andere Maße auf Anfrage möglich.

Other sizes and dimensions available on request.